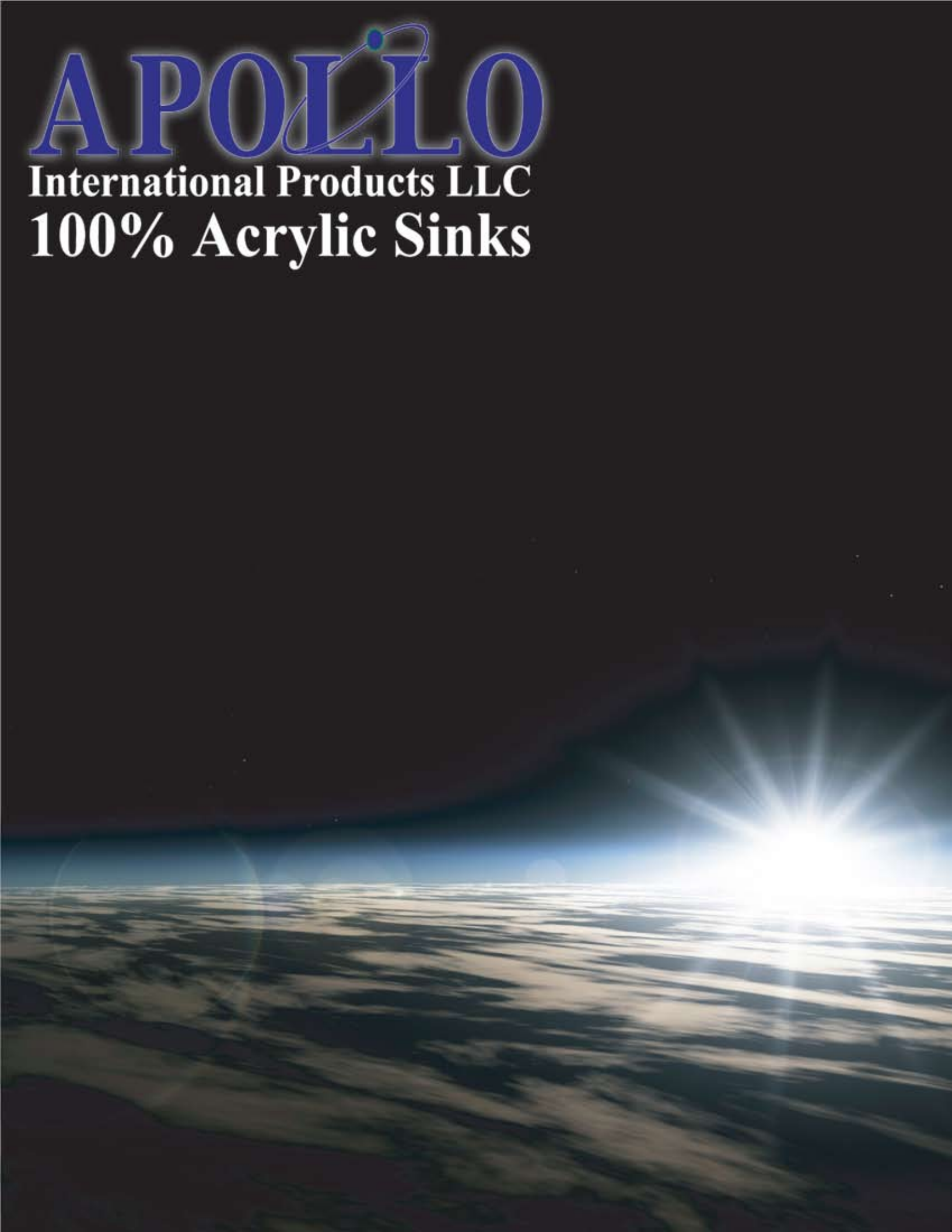


APOLLO

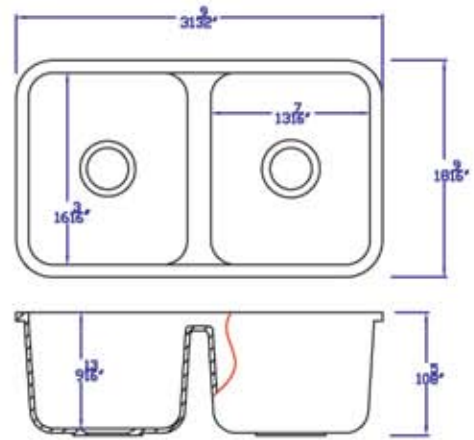
International Products LLC

100% Acrylic Sinks

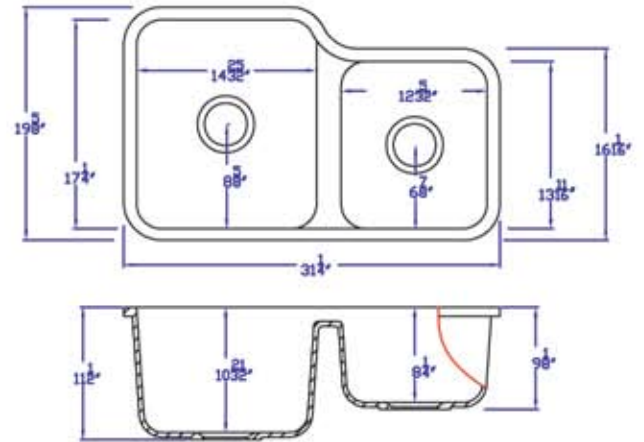




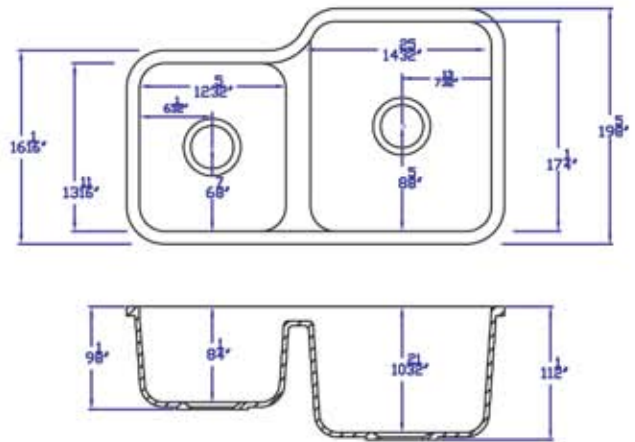
8888 "Standard"



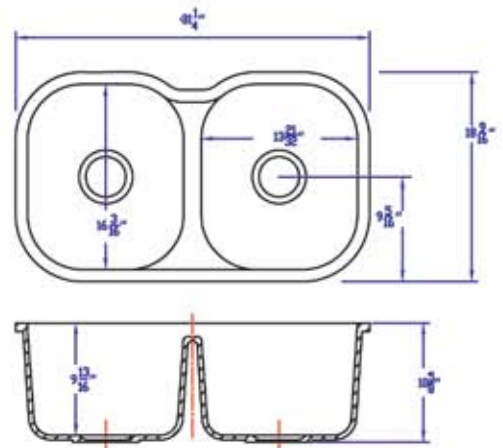
8886 "Hollywood"



8887 "Capri"

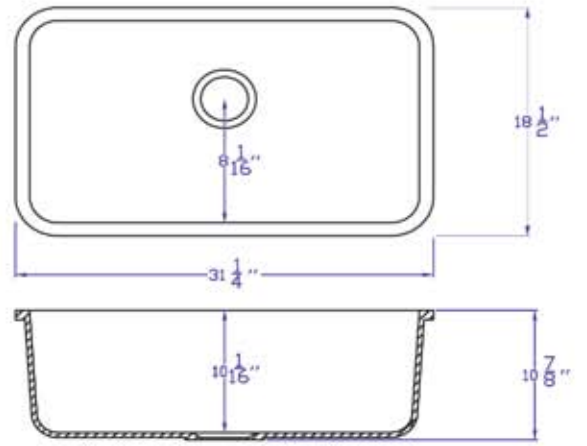


8884 "Designer"

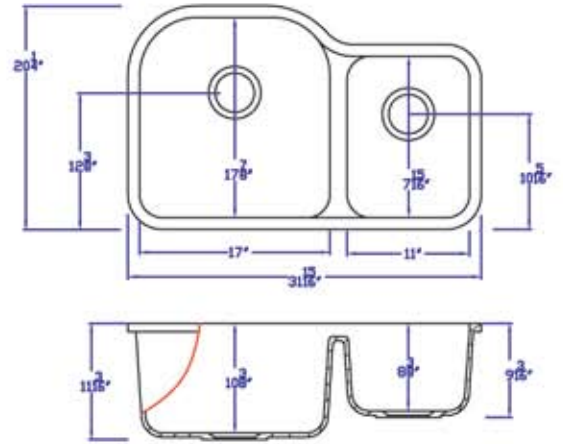




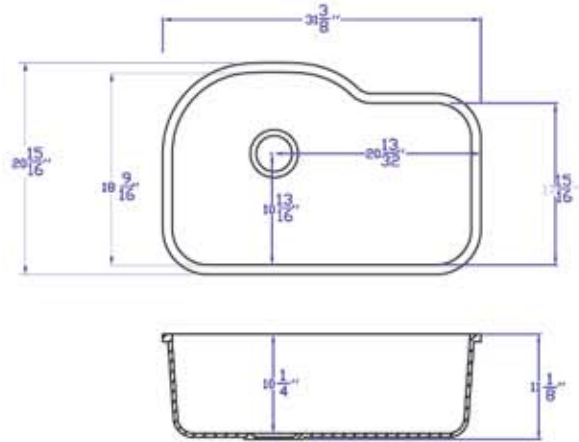
8589 "Tawny"



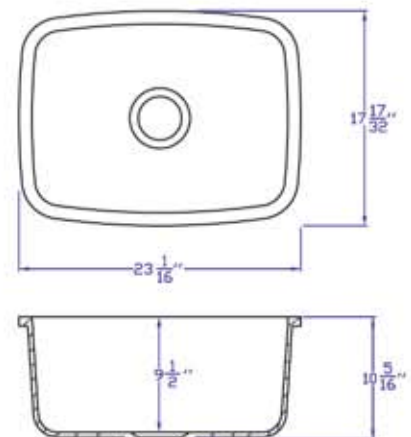
8885 "Arthur"



8889 "Jennifer"

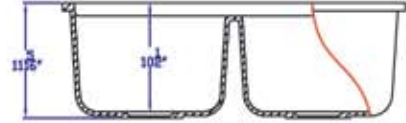
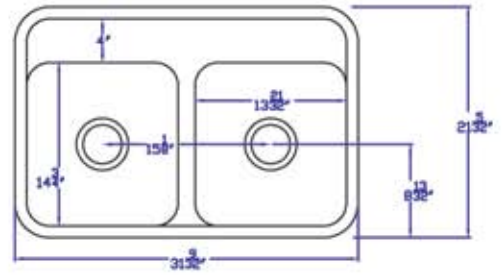


8588 "Carolina"

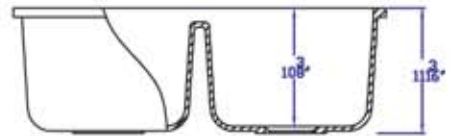
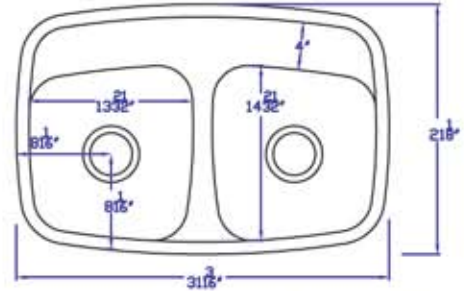




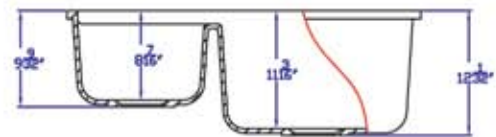
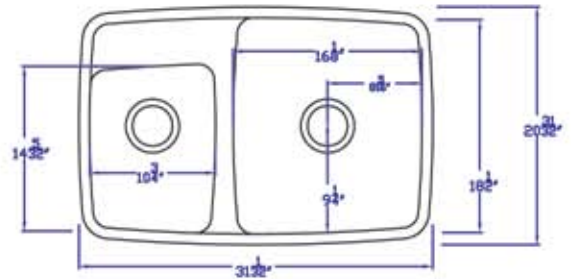
8987 "Sable"



8988 "Tiffany"



8989 "Tori"

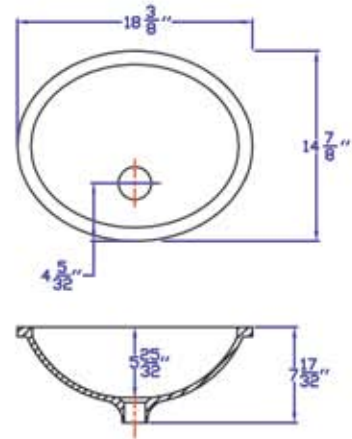


APOLO
International Products LLC
100% Acrylic Sinks

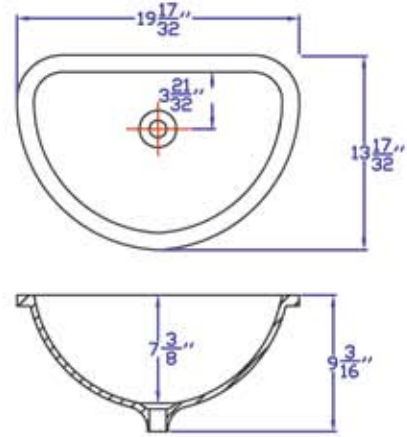




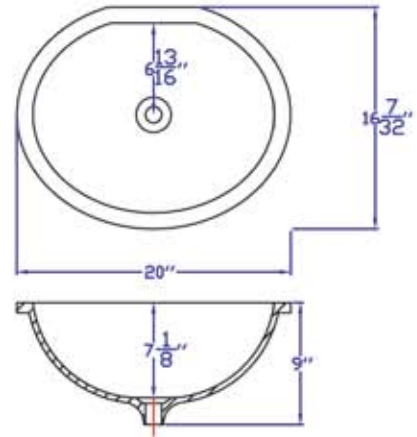
8665 "Cameo"



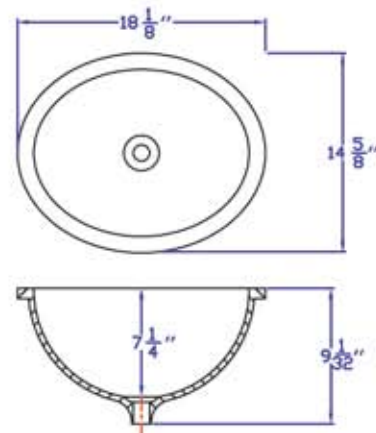
8667 "Norway"



8668 "Crystal"

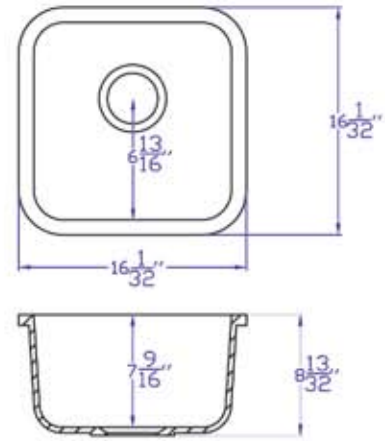


8666 "Oval"

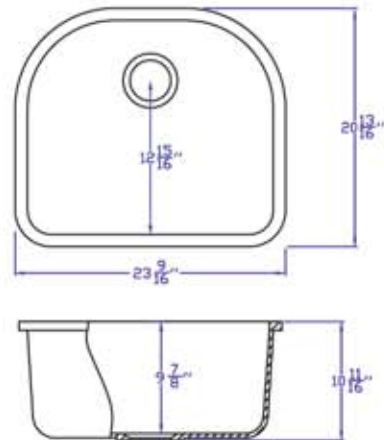




8587 "Hampton"



8488 "Half Moon"



Maintenance & Care

Your Apollo sink is made from 100% cast acrylic which is virtually stain proof. Hard water, rusty water, or even purple primer for plastic pipe will not leave a permanent stain. For regular cleaning, we recommend Comet, Ajax or Soft Scrub with a green Scotch[®] Brite pad and almost any cleaner will keep your Apollo sink looking its best. (please be careful with drain cleaners).

This material will withstand temperatures up to 360° F, so no more worrying about pouring boiling water into your sink!

Limited Lifetime Warranty Against Manufacturing Defects.

However, this warranty does not apply to the following:

1. Accidents
2. Excessive Heat Damage
3. Shipping Damage
4. Abuse of any kind